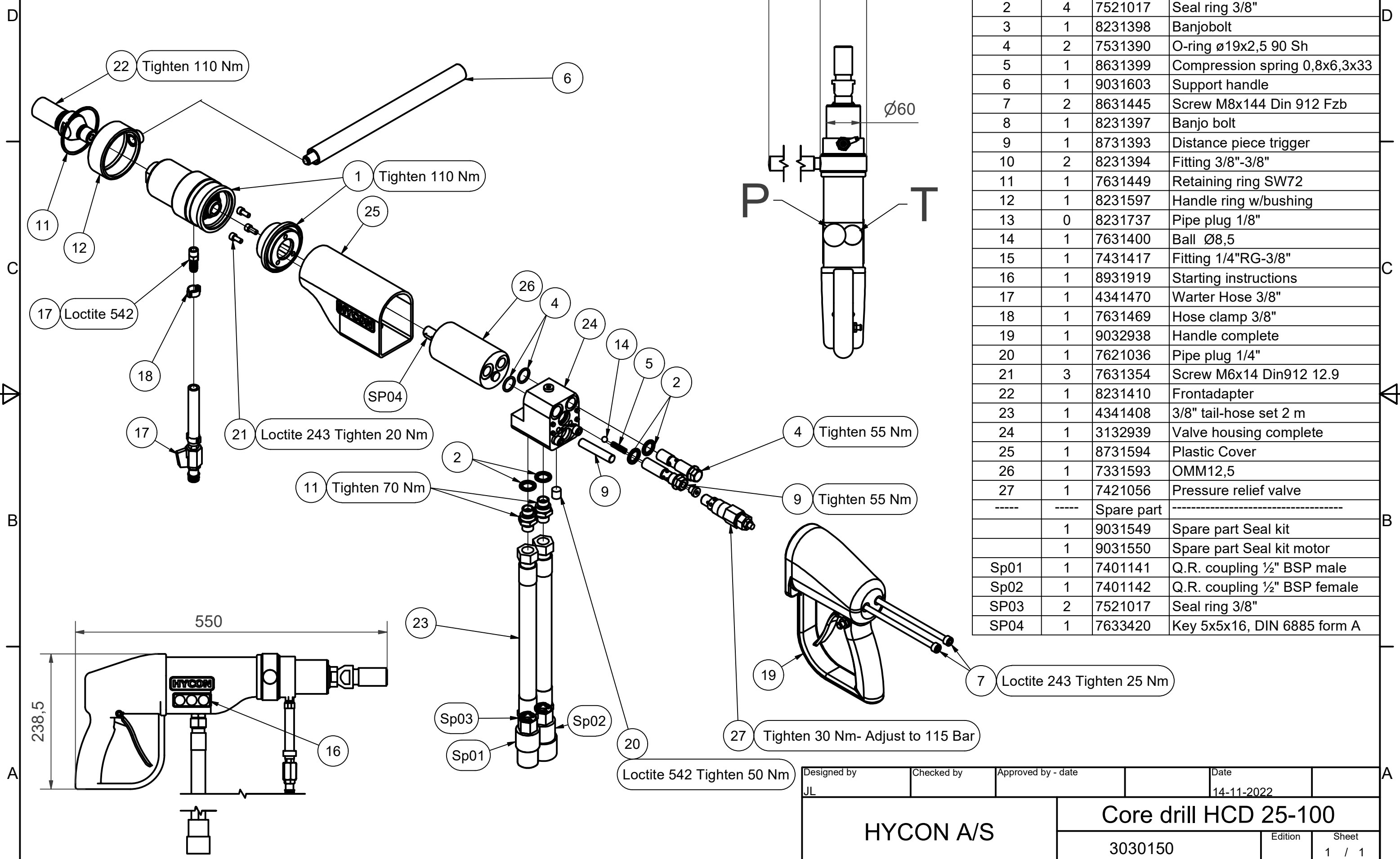
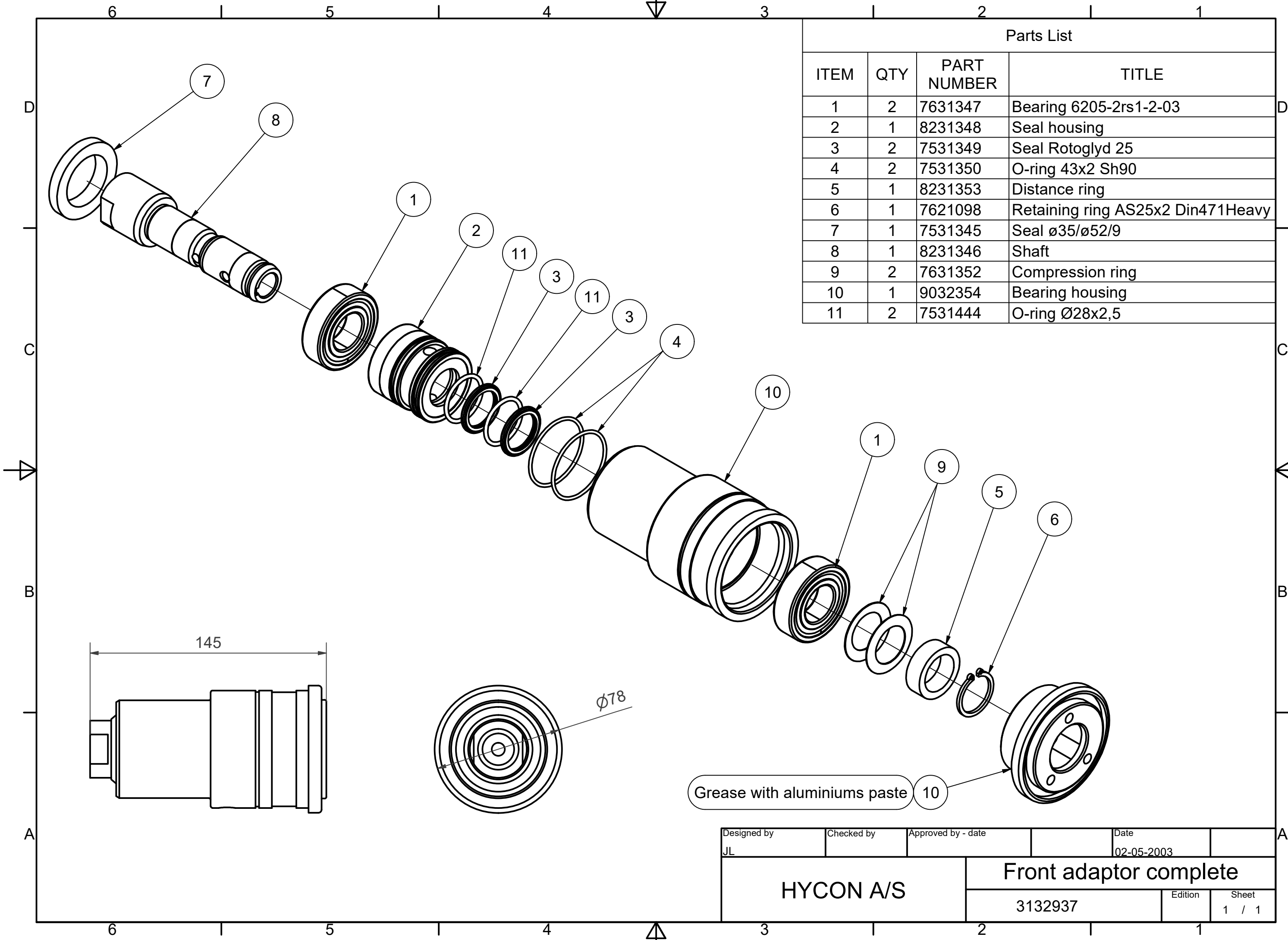


**HCD 25-100**  
Spare part list  
From serie no.0152



Parts List			
ITEM	QTY	PART NUMBER	TITLE
1	1	3132937	Front adaptor Complete
2	4	7521017	Seal ring 3/8"
3	1	8231398	Banjobolt
4	2	7531390	O-ring $\varnothing 19 \times 2,5$ 90 Sh
5	1	8631399	Compression spring 0,8x6,3x33
6	1	9031603	Support handle
7	2	8631445	Screw M8x144 Din 912 Fzb
8	1	8231397	Banjo bolt
9	1	8731393	Distance piece trigger
10	2	8231394	Fitting 3/8"-3/8"
11	1	7631449	Retaining ring SW72
12	1	8231597	Handle ring w/bushing
13	0	8231737	Pipe plug 1/8"
14	1	7631400	Ball $\varnothing 8,5$
15	1	7431417	Fitting 1/4"RG-3/8"
16	1	8931919	Starting instructions
17	1	4341470	Water Hose 3/8"
18	1	7631469	Hose clamp 3/8"
19	1	9032938	Handle complete
20	1	7621036	Pipe plug 1/4"
21	3	7631354	Screw M6x14 Din912 12.9
22	1	8231410	Frontadapter
23	1	4341408	3/8" tail-hose set 2 m
24	1	3132939	Valve housing complete
25	1	8731594	Plastic Cover
26	1	7331593	OMM12,5
27	1	7421056	Pressure relief valve
-----	-----	Spare part	-----
	1	9031549	Spare part Seal kit
	1	9031550	Spare part Seal kit motor
Sp01	1	7401141	Q.R. coupling 1/2" BSP male
Sp02	1	7401142	Q.R. coupling 1/2" BSP female
SP03	2	7521017	Seal ring 3/8"
SP04	1	7633420	Key 5x5x16, DIN 6885 form A

Designed by JL	Checked by	Approved by - date	Date 14-11-2022
<b>HYCON A/S</b>		<b>Core drill HCD 25-100</b>	
		3030150	Edition 1 / 1



Parts List			
ITEM	QTY	PART NUMBER	TITLE
1	2	7631347	Bearing 6205-2rs1-2-03
2	1	8231348	Seal housing
3	2	7531349	Seal Rotoglyd 25
4	2	7531350	O-ring 43x2 Sh90
5	1	8231353	Distance ring
6	1	7621098	Retaining ring AS25x2 Din471Heavy
7	1	7531345	Seal ø35/ø52/9
8	1	8231346	Shaft
9	2	7631352	Compression ring
10	1	9032354	Bearing housing
11	2	7531444	O-ring Ø28x2,5

Grease with aluminiums paste 10

Designed by JL	Checked by	Approved by - date	Date 02-05-2003
HYCON A/S		Front adaptor complete	
		3132937	Edition Sheet 1 / 1